

# BACKREST - STAINLESS STEEL



TO SUIT CARE TOILET SUITES

AS1428.1 ACCESSIBLE



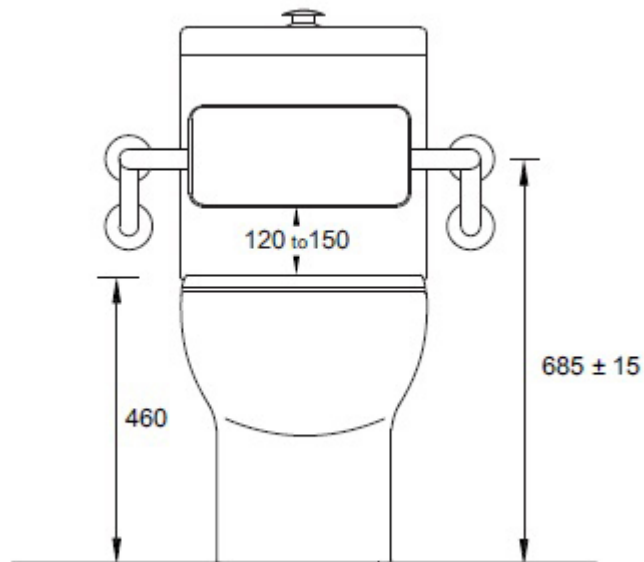
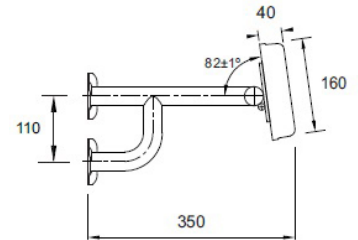
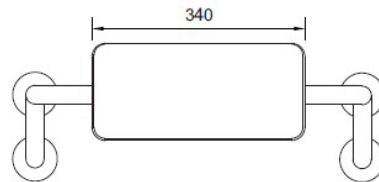
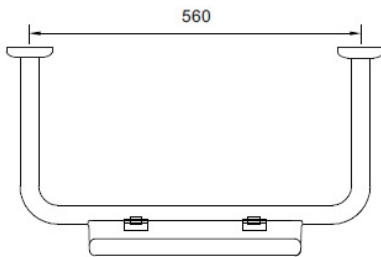
## Backrest to suit Modia Care 800 toilet suites

### Order code

191971 Backrest to suit Modia Care toilets, stainless steel

### Product details

FRAME 304 grade stainless steel, 1.0 mm thick.



# SEIMA

bathroom | kitchen | laundry

seima.com.au

### Please note

- Installation shall be in accordance with AS/NZS3500.
- All measurements are in millimetres. Height dimensions are to base of pan. Make allowance for bedding.
- Bedding: Pan may be bedded with cement base or using silicone sealant.  
Fix pan to floor using a sand cement mixture of 3:1 to a depth of 60mm. Do not use lime or fast-drying cement.
- Bracket fixing: The pan should be bedded with silicone sealant and fixed with the brackets supplied.  
Do NOT use epoxy type adhesives.
- Dimensions are nominal and subject to normal ceramic manufacturing variations.
- Specifications may vary without notice as part of our continuous improvement practices.
- Clean with a damp cloth. Do not use abrasive cleaners, liquids or pastes.

backrest-ds | v1.0